



ISTITUTO NAZIONALE DI RICERCA METROLOGICA Repository Istituzionale

Realization of a pulsed optically pumped Rb clock with a frequency stability below 10^{-15}

Original

Realization of a pulsed optically pumped Rb clock with a frequency stability below 10^{-15} / Gozzelino, M., Micalizio, S., Calosso, C.E., Belfi, J., Sapia, A., Gioia, M., Levi, F.. - In: SCIENTIFIC REPORTS. - ISSN 2045-2322. - 13:1(2023), p. 12974. [10.1038/s41598-023-39942-5]

Availability:

This version is available at: 11696/79579 since: 2024-02-27T17:05:12Z

Publisher:

NATURE PORTFOLIO

Published

DOI:10.1038/s41598-023-39942-5

Terms of use:

This article is made available under terms and conditions as specified in the corresponding bibliographic description in the repository

Publisher copyright

(Article begins on next page)



OPEN

Realization of a pulsed optically pumped Rb clock with a frequency stability below 10^{-15}

Michele Gozzelino¹, Salvatore Micalizio^{1✉}, Claudio E. Calosso¹, Jacopo Belfi², Adalberto Sapia³, Marina Gioia⁴ & Filippo Levi¹

We present the frequency stability performances of a vapor cell Rb clock based on the pulsed optically pumping (POP) technique. The clock has been developed in the frame of a collaboration between INRIM and Leonardo SpA, aiming to realize a space-qualified POP frequency standard. The results here reported were obtained with an engineered physics package, specifically designed for space applications, joint to laboratory-grade optics and electronics. The measured frequency stability expressed in terms of Allan deviation is 1.2×10^{-13} at 1s and achieves the value of 6×10^{-16} for integration times of 40000 s (drift removed). This is, to our knowledge, a record result for a vapor-cell frequency standard. In the paper, we show that in order to get this result, a careful stabilization of microwave and laser pulses is required.

Because of their reliability, compactness and good performances, vapor-cell clocks are nowadays employed in a large variety of scientific and technological applications that require precise timekeeping, jointly to reduced size, weight and power consumption (SWaP). It is sufficient to mention that global navigation satellite systems (GNSS), telecommunications, and timestamping of financial transactions all rely on precise time and frequency signals provided by atomic frequency standards which very often are Rb cell clocks¹.

Commonly used Rb clocks are lamp-pumped devices: a lamp is used as optical source for atomic state preparation through the process of optical pumping². However, since their introduction in atomic physics in the 80s, diode lasers have been successfully exploited in cell standards with the goal to improve the optical pumping process. In addition, due to the large number of available wavelengths, diode lasers allow the use of other atoms, like Cs, and are suited for implementing new excitation schemes, like coherent population trapping (CPT) (see for example^{3–7}).

At present, research on laser-pumped vapor cell clocks is an important and active field that roughly embraces two trends: on one side the extreme miniaturization, aiming at realizing chip-scale clocks. On the other hand, the development of high-stability prototypes, with the goal of competing with H-maser clocks in terms of frequency stability, but achieving lower SwaP.

In the first case, vapor-cell clocks as small as 1 cm^3 using a mm-scale cell have been demonstrated⁸. If, on one hand, this miniaturization process shows many advantages (e.g. power consumption of a few tens of mW, reduced mass and production costs), on the other hand the short-term stability is necessarily limited to units of 10^{-10} at 1 s by the size of the microfabricated cell and then by the number of interacting alkali-metal atoms. Miniaturized atomic clocks have been shown to work successfully as time base for future GNSS receivers⁹ and for seismic measurements related to earthquake detection, acoustic sensing, and oil exploration on the ocean floor¹⁰. Also, miniaturized atomic clocks are developed in view of future applications in mobile and low-power instrumentation or hand-held devices¹¹.

The second research line concerns the development of laser-based vapor cell clocks with the highest stability performances. In this regard, several techniques have been devised and studied, adopting in most cases a cm-scale cell arrangement. These techniques include double-resonance continuous wave approach¹², pulsed optical pumping (POP)^{13–15}, and CPT, either in continuous^{6,16} or in pulsed regime^{17,18}. Among them, the POP scheme guarantees highly improved performances both with respect to current traditional Rb clocks and to competing new research ideas. After the seminal works based on the POP Rb maser¹⁹, it has been soon recognized that the

¹Quantum Metrology and Nanotechnologies Division, Istituto Nazionale di Ricerca Metrologica, INRIM, Strada delle Cacce 91, 10135 Turin, Italy. ²Space Engineering and Atomic Clocks, Leonardo Electronics Società per Azioni, Viale Europa snc, 20014 Nerviano, MI, Italy. ³Space Engineering and Space Laser Systems, Leonardo Electronics Società per Azioni, Via dell'Industria 4, 00071 Pomezia, Rome, Italy. ⁴Optronics and Space Equipment LOB, Leonardo Electronics Società per Azioni, Viale Europa snc, 20014 Nerviano, MI, Italy. ✉email: s.micalizio@inrim.it

optical detection of the ground state population makes it possible to achieve the best frequency stability results. Specifically, several research groups measured Allan deviations in the range from 1×10^{-13} to 3×10^{-13} for 1 s of integration time. Also, in some cases, the medium-long term performances reached the low 10^{-15} region for 10^4 s of averaging time^{13,14,16,20,21}.

In this paper, we report on the implementation and characterization of a Rb POP clock that exhibits an even better frequency stability result. In particular, an Allan deviation of $1.2 \times 10^{-13} \tau^{-1/2}$, being τ the integration time, has been measured. The white frequency noise region extends up to 4×10^4 s (drift removed), allowing to reach the value 6×10^{-16} , a record result for a vapor-cell standard. The clock prototype includes an engineered physics package and a laboratory prototype for the electronic and the optical systems. The Rb POP physics package (PP) has been designed for space applications in the frame of the ESA contract ‘GSTP6.2 Rb POP’ and has been characterized at INRIM’s facilities from a physical and metrological point of view, including thermo-vacuum and magnetic-sensitivity tests²². Compared to the previous INRIM laboratory prototype¹⁴, the PP has been engineered improving thermal behavior, shielding, and mechanical robustness to withstand space requirements, without losing in stability performances. Special effort in the design has been devoted to the reliability and repeatability of the assembly and tuning processes in view of a future series production. The PP has a mass of 3 kg and a power consumption less than 10 W.

The work is organized as follows. In section “The POP scheme”, for completeness, we lay out the pulsed approach and its advantages in the realization of a cell clock. In “Experimental Implementation” we describe the clock prototype and its operation. Particular emphasis will be given to the generation and control of the laser pulses. “Results” section is devoted to the characterization measurements of the POP Rb clock, including the frequency stability results. Finally, in the conclusions, we summarize our results and outline some future perspectives.

The POP scheme

The pulsed scheme allows the separation in time of the three phases (state preparation, clock interaction and detection) that usually characterize the operation of an atomic frequency standard. In traditional Rb clocks, preparation, interrogation and detection take place at the same time: the light prepares the Rb atoms in one of two clock levels and simultaneously a microwave field resonant with the ground state hyperfine frequency is applied to the atomic sample in order to excite the clock transition. The same light used to pump the Rb atoms is also used for the detection stage, by measuring the excess of transparency induced by the microwave transition. This interrogation scheme, known as continuous-wave double-resonance, is quite efficient and is widely used in most commercial Rb clocks based on hot vapors.

However, the simultaneous presence of light and microwave generates a cross talk between optical and microwave transitions, resulting in a strong light-shift perturbing the clock frequency and then eventually affecting the stability of the reference signal²³. Specifically, medium- and long-term performances are limited by the light shift, regardless of whether the clock uses the laser or the lamp for optical pumping.

The pulsed optical pumping approach demonstrated very effective to reduce the light-shift. After being prepared in one clock level by an optical pumping pulse, the atoms make the transition in the dark stimulated by a couple of microwave pulses, according to the Ramsey scheme. Differently from the double resonance continuous wave approach, the transfer of the laser instabilities to the atoms is minimized, light-shift is reduced by at least two orders of magnitude, with benefit for the medium-long term clock stability.

Without entering in all details, we remind here that a complete elimination of the light shift is not possible for two main reasons: first, it is not possible to completely extinguish the laser light with standard opto-electronic devices and second, the laser absorption in the cell causes a non-homogeneity in the state preparation that results in a cell-position dependent shift²⁴.

Despite this so called pseudo-light shift effect, the POP technique shows some convenient features typical of a cold-atom fountain-like experiment. The atoms behavior can be well approximated by a two-level system, and the clock operation phases are well separated in time, being the Ramsey time no longer limited by gravity, like in a fountain, but by the relaxation phenomena taking place inside the cell. These mainly include the collisions with other Rb atoms (spin exchange), with the cell walls and with buffer gas atoms/molecules usually added to the cell to confine the atoms and to increase the coherence time².

The advantages of the POP scheme from a metrological point of view are not limited to the medium-long term. Indeed, during the optical pumping pulse, the laser intensity can be optimized to achieve the highest population inversion, improving the signal-to-noise ratio and consequently the short-term stability. Moreover, the central Ramsey fringe that represents the clock reference signal is nearly insensitive to any optical/microwave power broadening effect, being its linewidth (full-width at half maximum, $\Delta\nu_{1/2}$) well approximated by the expression $\Delta\nu_{1/2} = \frac{1}{2T}$, where T is the Ramsey time.

A typical POP clock sequence is depicted in Fig. 1a. The sequence starts with a strong resonant laser pulse creating a population imbalance in the two clock levels and almost extinguishing the residual atomic coherence from the previous cycle. Then, the Ramsey spectroscopy is performed in the microwave domain. Finally, the ground state population is probed by a weak laser pulse (at the same frequency as the pump pulse). The basic sequence is repeated twice as the microwave frequency is modulated around the central Ramsey fringe ($\nu_m \simeq \Delta\nu_{1/2}/2$). In Fig. 1b an advanced interrogation scheme is employed to stabilize not only the local oscillator frequency, but also the microwave field amplitude (See Methods for more details).

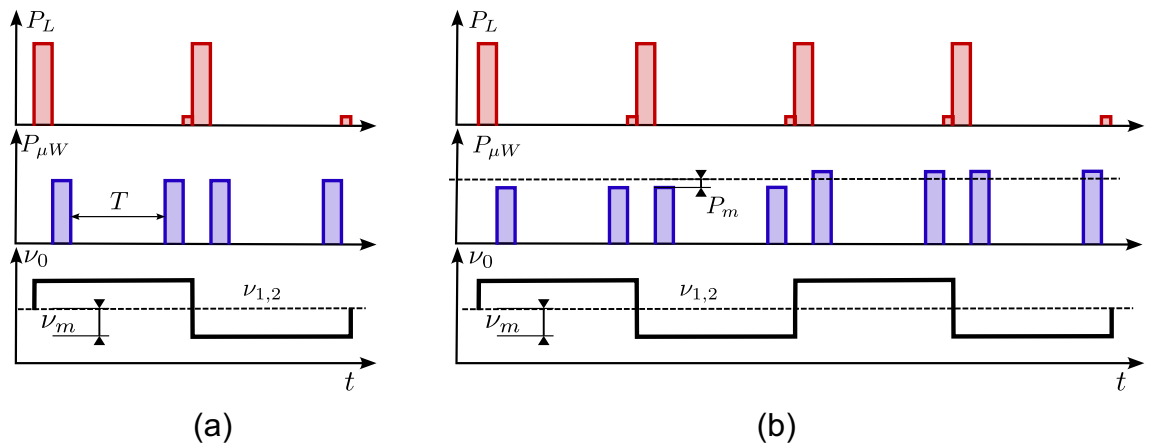


Figure 1. (a) Scheme of the basic POP clock cycle. P_L : laser power. $P_{\mu W}$: microwave power. ν_0 : microwave frequency. Optical pumping and detection is performed with laser pulses (top plot). After the pumping phase, the laser is switched off and the clock interrogation is performed with a time-domain Ramsey sequence (middle plot). The sequence is repeated twice, modulating the microwave frequency ν_0 with a modulation depth $\nu_m = 80$ Hz, i.e. half-width of the Ramsey fringe (bottom plot). The whole scheme lasts typically 8.8 ms. (b) Extended sequence with an additional modulation of the microwave power (by $\pm 8\%$) to perform an active stabilization of the microwave field amplitude on the atomic signal (see Methods).

Experimental implementation

The experimental setup is shown in Fig. 2. Several relevant functions are performed by a dedicated digital electronic system that implements the synthesis chain starting from a 100 MHz quartz oscillator, the signal acquisition, and the signal processing for disciplining the quartz to the atomic reference. The clock interrogation cycle of Fig. 1 is achieved by implementing a series of programmable steps that repeat themselves indefinitely²⁵.

The Engineering Model (EM) tested in this work is a Physics Package (PP) fully representative in terms of size, form and functionality to the flight model. The PP is equipped with not-screened components, identical to the flight counterparts, and it is assembled following space-qualified processes. The environmental tests on the PP EM included thermal-vacuum cycles, sinusoidal and random vibrations, and mechanical shock. They have been performed following the guidelines for the qualification of a full Galileo clock unit.

The PP is composed of a layered structure similar to that described in¹⁴. The core of the PP is the cell that contains the Rb atoms and a temperature compensated mixture of buffer gases. The cell is housed in a microwave cavity which is fed with a signal resonant with the ground state hyperfine transition of ⁸⁷Rb (6.834 GHz). A solenoid (for generating the quantization magnetic field), thermal and magnetic shields complete the PP. The main physical parameters, such as cell length, buffer gas content, operational temperature and cavity quality factor are very similar to those reported in¹⁴.

Currently, two Rb POP PP EM units manufactured by Leonardo S.p.A have been thoroughly analysed and approved following a formal ESA review process and successfully passed the environmental (thermal and

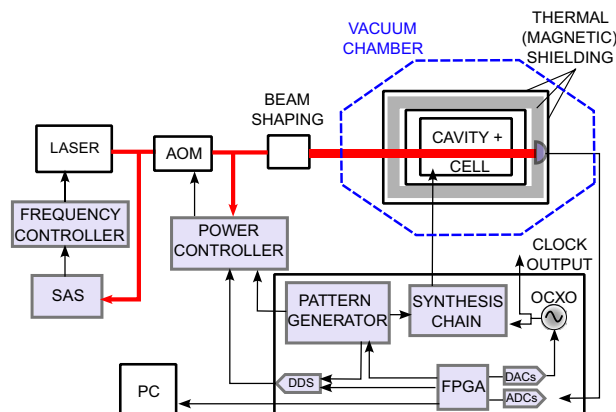


Figure 2. Functional block scheme of the POP clock described in the text. For the frequency characterization, the engineered physics package was stored inside a vacuum chamber to provide a representative environment for on-ground tests. SAS: Saturation Absorption Spectroscopy setup. FPGA: Field-Programmable Gate Array. DAC: Digital-to-Analog Converter. ADC: Analog-to-Digital Converter. DDS: Direct Digital Synthesizer. AOM: Acousto-optic Modulator. OCO: Oven-controlled Crystal Oscillator.

mechanical loads) and the performance test phases. In addition, a long-term test on one PP EM is ongoing since more than 3 years in INRIM facilities, confirming excellent stability of its critical parameters.

The optics package is composed of a distributed feedback (DFB) laser whose frequency is stabilized to the D₂ line (780 nm) via common saturated absorption spectroscopy (SAS) technique on the Rb $|F = 1\rangle \rightarrow |F' = 1, 2\rangle$ crossover transition with -160 MHz offset, to compensate for the buffer-gas shift. A fiber-coupled acousto-optic modulator (AOM) acts both as a switch and as actuator for stabilizing the laser-pulses amplitude, according to the POP timing sequence. The pumping phase typically lasts 0.4 ms for a pump intensity of 14 mW/cm^2 . The detection pulse intensity is instead around 0.9 mW/cm^2 . Before entering the PP, the laser beam is shaped by a few free-space optics (see Fig. 6a): after collimation, the linear polarization is adjusted with a half-wavelength plate and cleaned with a Glan-Thompson polarizer. Then, the beam is expanded to a $1/e^2$ beam diameter of 6.6 mm. A non-polarizing beam-splitter is inserted just before the beam-expander to sample the laser intensity on a photodiode. The amplitude of the laser pulses is actively stabilized on this photodiode signal with 40 kHz bandwidth to improve the relative intensity noise (RIN); at the same time, the stabilization technique provides a control of the laser pulses area. More details can be found in Methods.

Figure 2 shows a functional block-scheme of the whole clock, whereas Fig. 6a presents a scheme of the optical breadboard, including the laser, the AOM, the beam-delivering system and the pulses-generation setup. The engineered PP was stored inside a vacuum chamber, to provide a representative environment for testing. The typical clock signal achieved with the system is shown in Fig. 3. Notably, the clock signal has similar or even better characteristics to the one obtained in the best-performing laboratory prototypes^{13,14}.

Stability results

The stability results presented in this section refer to the latest extensive measurement campaign performed on one engineering model of physics package. After an early evolution of the clock frequency due to the cell 'burn-in', the clock frequency behavior was rather predictable and shows a constant linear drift of $\simeq 4 \times 10^{-14}/\text{d}$, even after a few programmed periods of "cold" (23°C) and "hot" (65°C) storage, where the temperature controllers were not active and the package was left to thermalize with the environment.

Figure 4 shows the result of a 22-days uninterrupted measurement of the Rb clock using an active hydrogen maser as a reference. The typical stability is $1.2 \times 10^{-13} \tau^{-1/2}$ up to 1000 s, after that we observe a flicker noise in the mid 1×10^{-15} region up to few-days averaging times. The small amount of excess noise in the short-term is due to spurs, partly arising from the clock signal, and partly from the distribution line of the hydrogen maser signal, and averages down faster than white noise as a function of the averaging time τ . By selecting a 200 000 s sub-set of the data, where the environmental parameters were more stable, we see the potential of the system to reach a stability region below 1×10^{-15} after only 1×10^4 s of averaging time.

To underline the potential of the POP clock architecture for satellite-based navigation systems²⁶, we calculated the Dynamic Allan variance for the same data with a window of 4 days, in order to estimate the stability at 1 day, which is the typical interval between adjacent clock synchronizations in modern GNSS systems²⁶. A global drift of $+3.9 \times 10^{-14}/\text{d}$ is removed from the whole measurement before slicing. In Fig. 5a, the Dynamic Allan variance is plotted as a series of overlapped curves. The color indicates the position of the window (starting with light-yellow at the beginning of the measurement and dark-blue at the end). In Fig. 5b the distribution of the ADEV values calculated at 24 h is shown. For the duration of the measurement, the 1-day frequency stability is around 6×10^{-15} with highest probability and seldom above 7×10^{-15} . This level of frequency stability corresponds to a time-keeping better than 0.5 ns after 1-day without synchronization, and, notably, without the need of updating the clock drift model, since the linear drift is stable over time. This is well within the desired

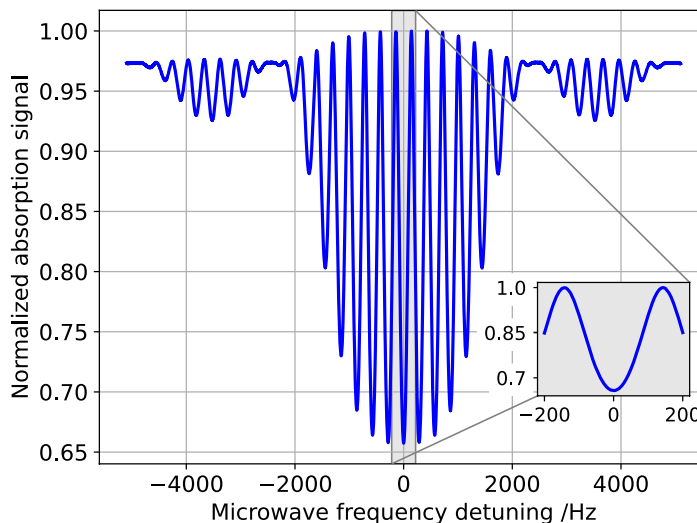


Figure 3. Typical experimental Ramsey fringes measured with the engineered physics package. No averaging is made when scanning the local oscillator frequency (i.e. each data point is the result of one clock cycle).

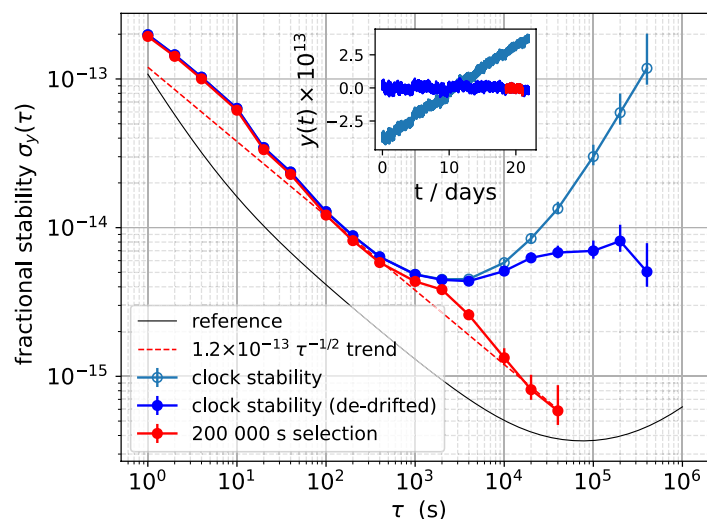


Figure 4. Clock stability as measured versus an active hydrogen maser (measurement bandwidth 5 Hz). Light-blue open circles: overlapping Allan deviation (OADEV) of the whole measurement. Blue: same data with linear drift removed ($+3.9 \times 10^{-14}/\text{d}$). Red: selected sub-set (200 000 s long). Black: model of the active hydrogen maser used as reference. The inset shows the time series of the same data-sets with corresponding colors. In this case, data are averaged with a window of 100 s for better visualization.

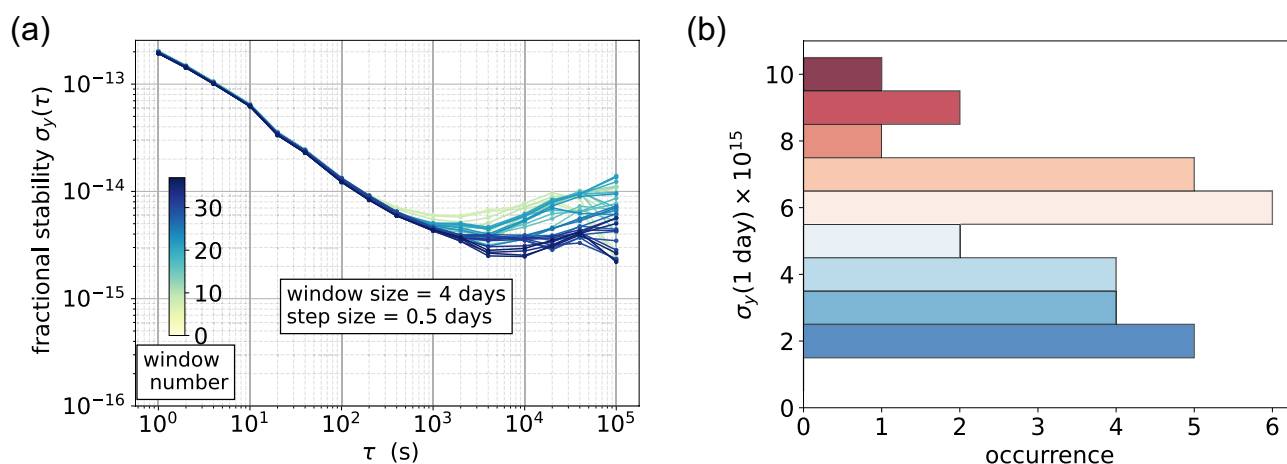


Figure 5. Analysis of the stability at 1 day averaging time for the same frequency data of Fig. 4. **(a)** Dynamic Allan deviation (DAVAR)²⁷: Allan deviation calculated over sliding time windows. Each window is 4-days long and translated from the preceding one by 0.5 day. The color indicates the position of the window (starting with light-yellow at the beginning of the measurement and dark-blue at the end). **(b)** Distribution of the stability at 1-day averaging time.

level of performance for a GNSS on-board clock, bringing the User-Range-Error contribution from the clock to a negligible level (below 20 cm for 1 day of holdover time)²⁶.

Discussion

We have presented the frequency stability results obtained with a prototype of Rb vapor cell clock working in pulsed regime. The clock is composed of a physics package engineered for space operation, joint to laboratory electronics and optics. The measured Allan deviation is $1.2 \times 10^{-13} \tau^{-1/2}$, reaching the record result of 6×10^{-16} for an integration time of 40000 s (drift removed). A complete engineered Rb POP clock targets a white frequency noise regime for an averaging time of the order of 1 day, as required by the ultimate stability goal for GNSS²⁶.

Although the transfer of laser and microwave instabilities to the atoms is considerably reduced compared to other techniques, the control of the fields fluctuations must be handled also in the pulsed approach. The stability performances here reported have been obtained adopting specific techniques to reduce the clock frequency sensitivity to laser and microwave power instabilities (see Methods for details).

The ongoing activities are focused into the development of fully integrated and qualified optical and electronics packages to be assembled with the already existing PP. The results presented here represent a significant

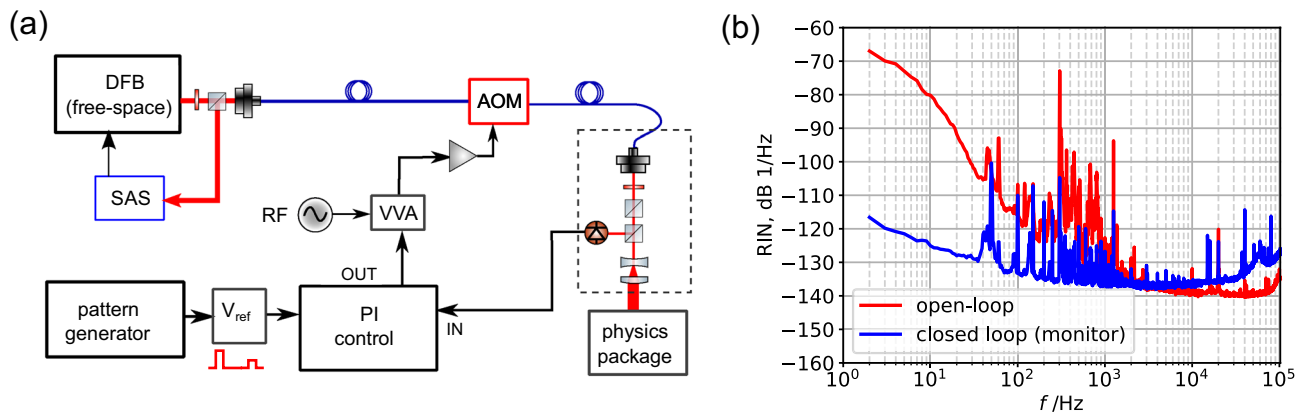


Figure 6. (a) Scheme of the optical breadboard, including the laser source, the beam-delivering system and the laser-pulses stabilization setup (see the text for a detailed explanation). DFB: Distributed Feedback Laser, AOM: Acousto-Optic Modulator, VVA: Voltage Variable Attenuator, PI: Proportional-Integral, SAS: Saturation Absorption Spectroscopy setup. (b) Relative intensity noise (RIN) of the laser as measured in CW with the control in open- and closed-loop.

advance in vapor cell clock technology. In terms of SWaP, the final prototype is expected to have a volume of 17 liter, a weight of 10 kg and a power consumption of 60 W. These features, joint to the above reported stability performances, would make the Rb POP clock very attractive to its possible deployment in GNSS or in any other space applications.

Methods

Microwave amplitude stabilization. The microwave power delivered to the physics package during the Rabi pulses is of the order of -20 dBm. The sensitivity of the fractional clock frequency γ to this parameter is $\Delta\gamma/(\Delta P_{\mu W}/P_{\mu W}) = -7 \times 10^{-14}/\%$. Therefore, to achieve 1×10^{-15} fractional stability, the microwave power delivered by the synthesis chain must be better than 0.014%. Achieving this level for long averaging times is not a trivial task both with the system free-running and with traditional active stabilization systems. To tackle this issue, we implemented the stabilization algorithm described in²⁸.

The amplitude of the Rabi pulses is modulated synchronously with the clock cycle around the setpoint that maximizes the atomic absorption (i.e. around the first Rabi oscillation maxima). The double modulation (microwave frequency and amplitude) is performed by doubling the usual clock pattern. An independent error signal is retrieved by processing the clock signal and the correction is applied to the AM modulation input of the synthesis chain. The modulation depth is rather small, of the order of 8%. Such a small modulation is possible thanks to the low-noise properties of the atomic signal and to the small bandwidth required for the loop (power fluctuations are temperature-related and typically start to kick-in at hundreds of seconds). Due to the small modulation depth and to the symmetry of the Ramsey fringes, the main clock loop is not perturbed and the short-term stability is not affected.

This scheme has been validated to reach 1×10^{-5} fractional stability in the delivered microwave power at 1 day averaging time and is intrinsically robust, since the information is retrieved directly from the same atoms contributing to the frequency reference signal. Indeed, since the microwave field is sensed inside the microwave cavity, the control can also compensate for variations of the microwave field power due to time-varying coupling efficiency or cavity aging. Notably, this scheme requires very little additional hardware and does not introduce dead time in the clock operation.

Laser pulses stabilization. Although orders of magnitude less impacting than with CPT or CW vapor-cell clocks, laser power is still a significant parameter of influence affecting the long-term of the POP clock²⁹. In the previous high-performance prototype¹⁴, the power stability of our free-space laser system was not such a critical factor, since temperature sensitivity of the physics package was the main limitation to the mid-term stability. With the current system, that includes some fiber paths and aims at even better performances in the long-term, an active stabilization of the laser pulses power was necessary.

For achieving the reported stability of Fig. 4 we implemented a mixed analog/digital control to generate and stabilize the pulses. The laser power is probed just before the physics package by picking $\simeq 30\%$ of the light with a non-polarizing beam splitter and acquiring it with a Si photodiode (see Fig. 6a). The detected signal is conditioned and compared with a numerically controlled voltage reference. An analog proportional-integral (PI) controller acts on a variable voltage attenuator (VVA) that modulates the RF power sent to the single-pass AOM, controlling the amplitude of the laser and generating the pulses.

The voltage reference (V_{ref}) is composed of three programmable voltage levels (corresponding to “Pumping”, “Detection” and “Dark” clock phases). The switching between the three states is performed with a fast analog switch (Analog Devices ADG412), driven by the same pattern generator of the clock electronics. The pattern also drives another switch that commutes between three different gains for the analog control. In this way, the gain

during the three clock phases can be independently optimized. In this configuration, the controller is responsible for generating the laser pulses (by following the voltage reference) and reduces the laser RIN. The intensity noise achievable by the laser is determined by the voltage noise multiplied by the VVA+AOM trans-characteristic. The long-term stability of the pulse amplitude is instead stabilized (at best) at the level of the voltage reference. As seen in Fig. 6b, the RIN reduction was between 10 dB and 20 dB in the kHz range, achieving a white noise floor of -135 dB/1/Hz from 100 Hz up to 50 kHz (Fourier frequency). The long-term fractional power stability of the laser pulses power $\Delta P_L/P_L$ was of the order of 2×10^{-4} (at 1 day) for both the detection and the pumping pulses.

Data availability

The datasets used and/or analysed during the current study available from the corresponding author on reasonable request.

Received: 21 March 2023; Accepted: 2 August 2023

Published online: 10 August 2023

References

1. Camparo, J. The rubidium atomic clock and basic research. *Phys. Today* **60**, 33–39. <https://doi.org/10.1063/1.2812121> (2007).
2. Vanier, J. & Audoin, C. *The Quantum Physics of Atomic Frequency Standards* (Adam Hilger, Bristol, 1989).
3. Yun, P., Guérandel, S. & de Clercq, E. Coherent population trapping with polarization modulation. *J. Appl. Phys.* **119**, 244502. <https://doi.org/10.1063/1.4954690> (2016).
4. Abdel Hafiz, M. & Boudot, R. A coherent population trapping Cs vapor cell atomic clock based on push–pull optical pumping. *J. Appl. Phys.* **118**, 124903. <https://doi.org/10.1063/1.4931768> (2015).
5. Godone, A., Levi, F., Micalizio, S. & Calosso, C. Coherent-population-trapping maser: Noise spectrum and frequency stability. *Phys. Rev. A* **70**, 012508. <https://doi.org/10.1103/PhysRevA.70.012508> (2004).
6. Yun, P. *et al.* High-performance coherent population trapping clock with polarization modulation. *Phys. Rev. Appl.* **7**, 014018. <https://doi.org/10.1103/PhysRevApplied.7.014018> (2017).
7. Knappe, S., Wynands, R., Kitching, J., Robinson, H. G. & Hollberg, L. Characterization of coherent population-trapping resonances as atomic frequency references. *J. Opt. Soc. Am. B* **18**, 1545–1553. <https://doi.org/10.1364/JOSAB.18.001545> (2001).
8. Kitching, J. Chip-scale atomic devices. *Appl. Phys. Rev.* **5**, 031302. <https://doi.org/10.1063/1.5026238> (2018).
9. Ramlall, R., Streter, J. & Schnecker, J. F. Three satellite navigation in an urban canyon using a chip-scale atomic clock. In *Proceedings of the 24th International Technical Meeting of the Satellite Division of the Institute of Navigation (ION GNSS 2011)* 2937–2945 (2011).
10. Gardner, A. T. & Collins, J. A. A second look at chip scale atomic clocks for long term precision timing, 4 years in the field. In *Proceeding of Oceans 2012* 1–8 (2012).
11. Tamagnin, M. Chip-scale atomic clocks. Physics, technologies, and applications. In *JRC Technical report of the European Commission* 1–91 (2021).
12. Almat, N. *et al.* Characterization of frequency-doubled 1.5- μ m lasers for high-performance Rb clocks. *IEEE Trans. Ultrason. Ferroelectr. Freq. Control* **65**, 919–926 (2018).
13. Almat, N. *et al.* Long-term stability analysis toward $< 10^{-14}$ level for a highly compact POP Rb cell atomic clock. *IEEE Trans. Ultrason. Ferroelectr. Freq. Control* **67**, 207–216 (2020).
14. Micalizio, S., Calosso, C. E., Godone, A. & Levi, F. Metrological characterization of the pulsed Rb clock with optical detection. *Metrologia* **49**, 425–436. <https://doi.org/10.1088/0026-1394/49/4/425> (2012).
15. Dong, G. *et al.* Recent improvements on the pulsed optically pumped rubidium clock at SIOM. *Chin. Opt. Lett.* **15**, 040201 (2017).
16. Yun, P. *et al.* High-performance coherent population trapping atomic clock with direct-modulation distributed Bragg reflector laser. *Metrologia* **58**, 045001. <https://doi.org/10.1088/1681-7575/abffde> (2021).
17. Abdel Hafiz, M. *et al.* A high-performance Raman–Ramsey Cs vapor cell atomic clock. *J. Appl. Phys.* **121**, 104903. <https://doi.org/10.1063/1.4977955> (2017).
18. Micalizio, S. & Godone, A. Raman–Ramsey resonances in atomic vapor cells: Rabi pulling and optical-density effects. *Phys. Rev. A* **99**, 043425. <https://doi.org/10.1103/PhysRevA.99.043425> (2019).
19. Godone, A., Micalizio, S., Calosso, C. & Levi, F. The pulsed rubidium clock. *IEEE Trans. Ultrason. Ferroelectr. Freq. Control* **53**, 525–529. <https://doi.org/10.1109/TUFFC.2006.1610560> (2006).
20. Shen, Q., Lin, H., Deng, J. & Wang, Y. Pulsed optically pumped atomic clock with a medium- to long-term frequency stability of 10^{-15} . *Rev. Sci. Instrum.* **91**, 045114. <https://doi.org/10.1063/5.0006187> (2020).
21. Hao, Q. *et al.* Microwave pulse-coherent technique-based clock with a novel magnetron-type cavity. *IEEE Trans. Ultrason. Ferroelectr. Freq. Control* **67**, 873–878. <https://doi.org/10.1109/tuffc.2019.2955574> (2020).
22. Micalizio, S., Levi, F., Calosso, C. E., Gozzelino, M. & Godone, A. A pulsed-laser Rb atomic frequency standard for GNSS applications. *GPS Solut.* **25**, 94. <https://doi.org/10.1007/s10291-021-01136-9> (2021).
23. Bandi, T. *et al.* Compact high-performance continuous-wave double-resonance rubidium standard with $1.4 \times 10^{-13} \tau^{-1/2}$ stability. *IEEE Trans. Ultrason. Ferroelectr. Freq. Control* **61**, 1769–1778. <https://doi.org/10.1109/TUFFC.2013.005955> (2014).
24. English, T. C., Jechart, E. & Kwon, T. M. Elimination of the light shift in rubidium gas cell frequency standards using pulsed optical pumping. Goddard Space Flight Center Greenbelt, Maryland, 28–30 November. In *Proceedings of the Precise Time and Time Interval (PTTI) Systems and Applications Meeting* 147–168 (1978).
25. Calosso, C. E. *et al.* Generalized electronics for compact atomic clocks. In *2017 Joint Conference of the European Frequency and Time Forum and IEEE International Frequency Control Symposium (EFTF/IFCS)* 322–323 (2017).
26. Jadászliwer, B. & Camparo, J. Past, present and future of atomic clocks for GNSS. *GPS Solut.* **25**, 1–13. <https://doi.org/10.1007/s10291-020-01059-x> (2021).
27. Galleani, L. & Tavella, P. Tracking nonstationarities in clock noises using the dynamic Allan variance. In *Proceedings of the 2005 IEEE International Frequency Control Symposium and Exposition, 2005* 392–396 (2005).
28. Gozzelino, M., Micalizio, S., Levi, F., Godone, A. & Calosso, C. E. Reducing cavity-pulling shift in Ramsey-operated compact clocks. *IEEE Trans. Ultrason. Ferroelectr. Freq. Control* **65**, 1294–1301. <https://doi.org/10.1109/tuffc.2018.2828987> (2018).
29. Micalizio, S., Godone, A., Levi, F. & Calosso, C. Medium-long term frequency stability of pulsed vapor cell clocks. *IEEE Trans. Ultrason. Ferroelectr. Freq. Control* **57**, 1524–1534. <https://doi.org/10.1109/tuffc.2010.1583> (2010).

Acknowledgements

This work has been partially funded under GSTP contract (Element 2) by the European Space Agency. The authors would like to thank Elio Bertacco for his invaluable help, especially in the design and optimization of the electronic controls.

Author contributions

M.Gozzelino, S.M., F.L. and C.E.C. performed the measurements and analysed the results. C.E.C. and M.Gozzelino designed and optimized the laser and microwave stabilization loops. S.M. and M.Gozzelino wrote the manuscript. M.Gioia, J. B., A. S. coordinated the Leonardo project. J.B., A.S. coordinated and contributed to the physics package design. All authors reviewed and contributed to the manuscript.

Competing Interests

The authors declare no competing interests.

Additional information

Correspondence and requests for materials should be addressed to S.M.

Reprints and permissions information is available at www.nature.com/reprints.

Publisher's note Springer Nature remains neutral with regard to jurisdictional claims in published maps and institutional affiliations.



Open Access This article is licensed under a Creative Commons Attribution 4.0 International License, which permits use, sharing, adaptation, distribution and reproduction in any medium or format, as long as you give appropriate credit to the original author(s) and the source, provide a link to the Creative Commons licence, and indicate if changes were made. The images or other third party material in this article are included in the article's Creative Commons licence, unless indicated otherwise in a credit line to the material. If material is not included in the article's Creative Commons licence and your intended use is not permitted by statutory regulation or exceeds the permitted use, you will need to obtain permission directly from the copyright holder. To view a copy of this licence, visit <http://creativecommons.org/licenses/by/4.0/>.

© The Author(s) 2023